

Quantum™ Rotary Control Monitors

Explosionproof/Flameproof – ATEX/IEC

WESTLOCK
CONTROLS

Rotary control monitors certified to Ex II 2G and specifically engineered for hazardous environments. Available with aluminum or stainless steel enclosures and a range of solenoid valve options.



Features

- Flameproof design meeting a wide range of worldwide approvals.
- Quantum enclosures integrate position sensors and low power solenoid valves into a single unit.
- Solenoid coils integrated within Quantum housing.
- Choice of factory pre-wired 3 and 5 way Falcon solenoid valves.
- Solenoid valves with a choice of C_v ratings and coil voltage.
- Strong durable Beacon™ offers 360° visual indication available in a choice of styles and colors.
- Touch set cams are hand adjustable, spring loaded and self-locking providing quick calibration of position switches and sensors.
- Terminal strips are pre-wired and numbered with generous working space for ease of use.
- Switch stabilization plate.
- Wide range of switches and sensors.
- Additional conduit for easy field wiring and mounting accessories as standard.
- Standardized mounting pattern for easy adaptation to common bracketry.
- Range of drive shaft options.
- Aluminum enclosures with ultra-low copper content (0.2% maximum) ensure robust performance in corrosive environments.
- Rugged stainless steel enclosures.
- IP rated plugs certified where applicable.

Technical Data

Agency approvals

Area classification (ATEX/IEC)

2200 series Ex II 2G
Exd IIB +H₂
Ex tD A21 IP6X

2600 series Ex II 2G
Exd IIC
Ex tD A21 IP6X

Enclosure standards (IEC)

2200/2600 series IP66/67

Switches

2200/2600 series V3 SPDT mechanical switches

DPDT mechanical switches

V3, slotted and barrel inductive proximity sensors

Magnum, SPDT (hermetically sealed proximity type) switches

G0 hermetically sealed switches, SPDT

Enclosures

2200/2600 series Aluminum

Stainless steel

Falcon solenoid valves

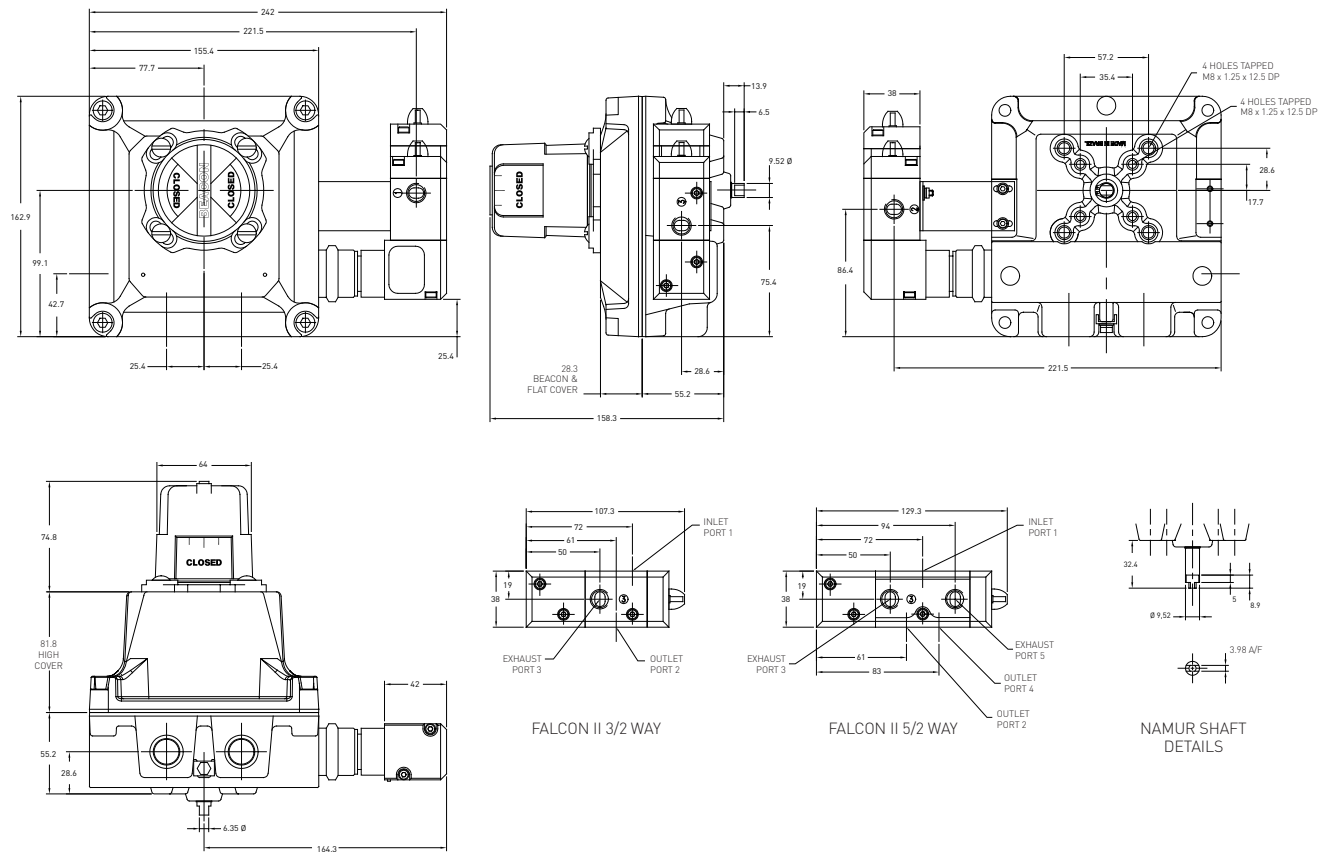
C_v Choice of 1.1, 3.5

Materials Aluminum and stainless steel

Quantum™ Rotary Control Monitors

Explosionproof/Flameproof – ATEX/IEC

2200 Series dimensions



Dimensions in mm, where available imperial dimension (inches) in parentheses

Technical specifications

| Materials of construction | |
|---------------------------|---|
| Enclosure | Aluminum with powder coat finish Stainless steel with electropolished finish |
| Shaft and hardware | Stainless steel |
| Bushing | PTFE (stainless steel) Oil impregnated bronze (Aluminum enclosure) |
| Beacon visual indicator | Co-polyester |
| Drive shaft | |
| Standard | Double-D with 1/4" A/F |
| Option | NAMUR standard VDI/WDE 3845 |
| Available switches | |
| | V3 SPDT mechanical switches DPDT mechanical switches |
| | V3, slotted and barrel inductive proximity sensors Magnum, SPDT (hermetically sealed proximity type) switches GO hermetically sealed switches, SPDT |

Please consult your sales office for any other requirements

Notes

Conduit entries
Quantum control monitors are available with a choice of conduit entries. Please see the selection guide for standard entries.

Switches and sensors
For further information see our switches and sensors data sheet.

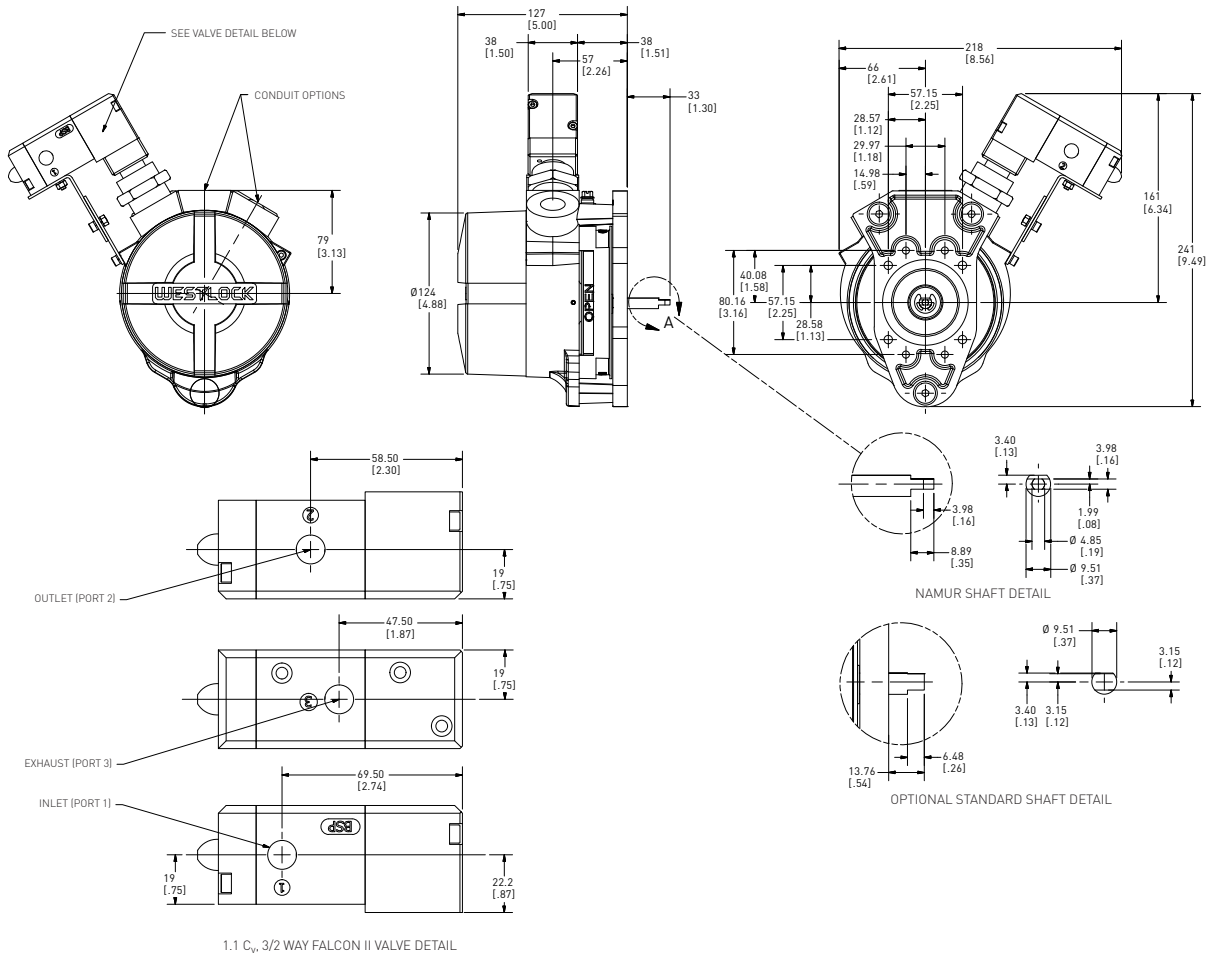
Solenoid valves
The Falcon range of solenoid valves allows you to choose the material, voltage, number of ports, number of coils and C_v to best suit your application. See the Falcon II data sheet for more information.



Quantum™ Rotary Control Monitors

Explosionproof/Flameproof – ATEX/IEC

2600 Series dimensions



Dimensions in mm, where available imperial dimension (inches) in parentheses

Technical specifications

| Materials of construction | |
|---------------------------|--|
| Enclosure | Aluminum with powder coat finish Stainless steel with electropolished finish |
| Shaft and hardware | Stainless steel |
| Bushing | PTFE (stainless steel) Oil impregnated bronze (Aluminum enclosure) |
| Beacon visual indicator | Co-polyester |
| Drive shaft | |
| Standard | Double-D with ¼" A/F |
| Option | NAMUR standard VDI/VDE 3845 |
| Available switches | |
| | V3 SPDT mechanical switches DPDT mechanical switches V3, slotted and barrel inductive proximity sensors Magnum, SPDT (hermetically sealed proximity type) switches GO hermetically sealed switches, SPDT |

Please consult your sales office for any other requirements

Notes

Conduit entries
Quantum control monitors are available with a choice of conduit entries. Please see the selection guide for standard entries.

Switches and sensors
For further information see our switches and sensors data sheet.

Solenoid valves
The Falcon range of solenoid valves allows you to choose the material, voltage, number of ports, number of coils and C_v to best suit your application. See the Falcon II data sheet for more information.



Quantum™ Explosionproof Rotary Control Monitors

2200/2600 Series Selection Guide

| | | | | | | | | | | | | | | |
|-------------------------------------|---|---|---|----|---|-------------------------------|----|-------------------------|---|---|-----|---|----|--|
| Housing | | | | | | | | | | | | | | |
| 22 | 2200 with flanged lid | | | | | | | | | | | | | |
| 26 | 2600 with screw lid | | | | | | | | | | | | | |
| Cover style | | | | | | | | | | | | | | |
| 4 | With Beacon visual indication | | | | | | | | | | | | | |
| 6 | No visual indication | | | | | | | | | | | | | |
| Switch type | | | | | | | | | | | | | | |
| 3 | GO switch SPDT (SS only) | | | | | | 8 | Other inductive sensor | | | | | | |
| 5 | Microswitch SPDT contacts | | | | | | 9 | Magnum proximity switch | | | | | | |
| 6 | Microswitch DPDT contacts | | | | | | 0 | No switches fitted | | | | | | |
| 7 | P&F sensor | | | | | | | | | | | | | |
| Material | | | | | | | | | | | | | | |
| A | Aluminum | | | | | | | | | | | | | |
| S | Stainless steel | | | | | | | | | | | | | |
| Beacon type and color | | | | | | | | | | | | | | |
| BY | Black/Yellow | | | | | | B1 | BM3-1 pattern 90° | | | | | | |
| RU | Black/yellow (Russian) (2600 only) | | | | | | B3 | BM3-3 pattern 90° | | | | | | |
| AR | ANSI Red/White | | | | | | B5 | BM3-5 pattern 90° | | | | | | |
| GR | Green/Red | | | | | | B7 | BM3-7 pattern 180° | | | | | | |
| 00 | No Beacon fitted | | | | | | B9 | BM3-9 pattern 180° | | | | | | |
| Drive shaft type | | | | | | | | | | | | | | |
| S | Westlock standard – ¼" A/F (6.32 mm) | | | | | | | | | | | | | |
| N | NAMUR standard shaft – VDI/VDE 3845 | | | | | | | | | | | | | |
| * | Non-standard material and build (consult sales office) | | | | | | | | | | | | | |
| Solenoid body material | | | | | | | | | | | | | | |
| A | Anodised aluminum | | | | | | | | | | | | | |
| E | Stainless steel | | | | | | | | | | | | | |
| Solenoid coil voltage | | | | | | | | | | | | | | |
| C | 24 V DC | | | | | | | | | | | | | |
| G | 90-120 V DC | | | | | | | | | | | | | |
| H | 90-120 V AC | | | | | | | | | | | | | |
| J | 220-240 V AC | | | | | | | | | | | | | |
| Solenoid valve specification | | | | | | | | | | | | | | |
| (½" BSP entry; 1.1 Cv) | | | | | | (½" NPT entry; 1.1 Cv) | | | | | | | | |
| K | 3/2 way - fail closed | | | | | | U | 3/2 way - fail closed | | | | | | |
| L | 3/2 way - fail open | | | | | | V | 3/2 way - fail open | | | | | | |
| Q | 5/2 way - fail closed | | | | | | 1 | 5/2 way - fail closed | | | | | | |
| Switch/sensor quantity | | | | | | | | | | | | | | |
| 0 | No switch/sensor fitted | | | | | | | | | | | | | |
| 1 | One switch/sensor | | | | | | | | | | | | | |
| 2 | Two switches/sensors | | | | | | | | | | | | | |
| 3 | Three switches/sensors (consult sales office for 2200 series) | | | | | | | | | | | | | |
| 4 | Four switches/sensors (consult sales office for 2200 series) | | | | | | | | | | | | | |
| Conduit entries supplied | | | | | | | | | | | | | | |
| 2 | Two entries – all enclosures | | | | | | | | | | | | | |
| 3 | Three entries – (consult sales office) | | | | | | | | | | | | | |
| Unit specification | | | | | | | | | | | | | | |
| AAA | Standard build- M20 conduit entries | | | | | | | | | | | | | |
| ABM | Gold plated switches | | | | | | | | | | | | | |
| ADZ | ¾" NPT conduit entries | | | | | | | | | | | | | |
| BEI | Rhodium plated switches | | | | | | | | | | | | | |
| DAV | M25 conduit entries | | | | | | | | | | | | | |
| FAN | ½" NPT conduit entries | | | | | | | | | | | | | |
| *** | Non-standard material (consult sales office) | | | | | | | | | | | | | |
| Certification | | | | | | | | | | | | | | |
| A | ATEX | | | | | | | | | | | | | |
| I | IECEX | | | | | | | | | | | | | |
| * | Other options (consult sales office) | | | | | | | | | | | | | |
| Revision | | | | | | | | | | | | | | |
| R* | Internal revision # | | | | | | | | | | | | | |
| 26 | 4 | 9 | A | BY | N | A | C | K | 2 | 2 | AAA | A | R2 | = Model number 2649ABYNACK22AAA-AR2 |

Notes

Specifying your control monitor
 Specifying a control monitor is a complex process as there are many variables that affect each individual application. To ensure that you receive the best possible combination for your control and monitoring requirement, please contact your local sales office for advice and guidance from one of our experts.

Hazardous area classification
 Please see our data sheet for further information on the global standards affecting the specification and installation of equipment in hazardous areas.

Quantum™ Rotary Control Monitors

Explosionproof/Flameproof – ATEX/IEC

US/Canada: Saddle Brook, NJ

Ph: +1 201 794 7650

Fax: +1 201 794 0913

E-mail: westlockinfo@westlockcontrols.com

South America: Sao Paulo, Brazil

Ph: +55 11 2588 1400

Fax: +55 11 2588 1410

E-mail: comercial@westlock.com.br

Europe: Kent, England

Ph: +44 1892 516277

Fax: +44 1892 707620

E-mail: sales@westlockuk.com

Asia: Singapore

Ph: +65 6768 5850

E-mail: sales@westlockuk.com